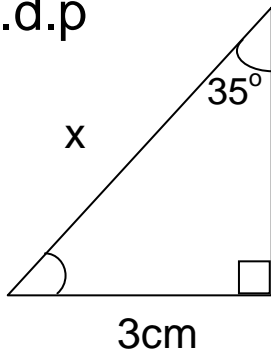


Answer

3.71cm

Question

Find the side marked x to 2.d.p

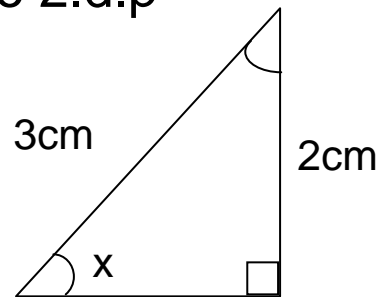


Answer

5.23cm

Question

Find the angle marked x to 2.d.p

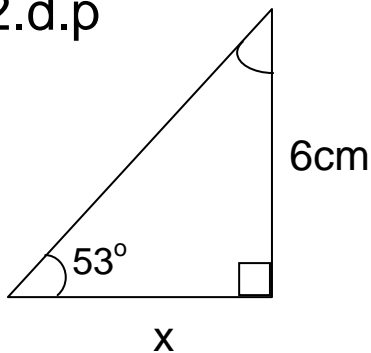


Answer

41.81°

Question

Find the side marked x to 2.d.p

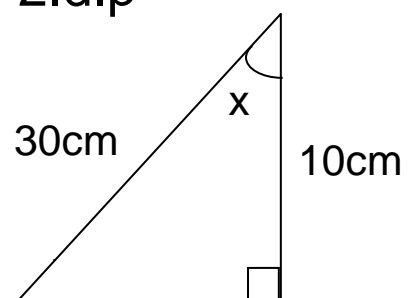


Answer

4.52cm

Question

Find the angle marked x to 2.d.p

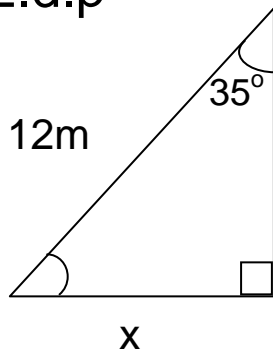


Answer

70.51°

Question

Find the side marked
x to 2.d.p

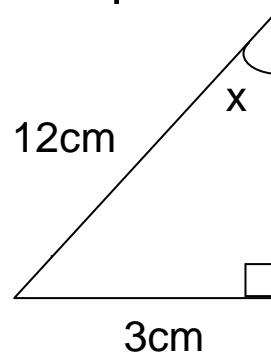


Answer

6.88m

Question

Find the angle marked
x to 2.d.p

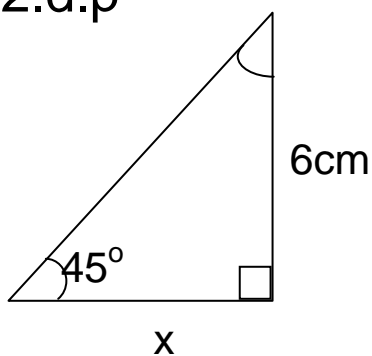


Answer

14.48°

Question

Find the side marked
x to 2.d.p

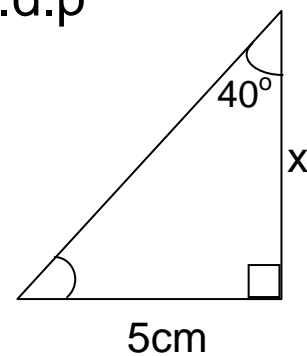


Answer

6cm

Question

Find the side marked
x to 2.d.p

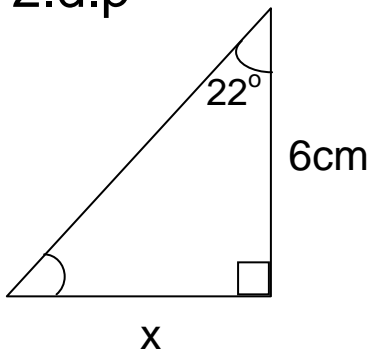


Answer

5.96cm

Question

Find the side marked
x to 2.d.p

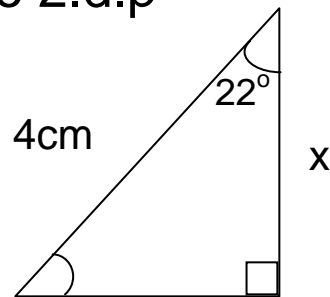


Answer

2.42cm

Question

Find the side marked
x to 2.d.p

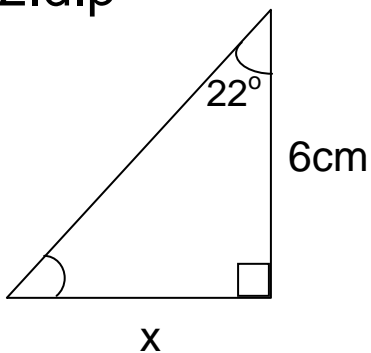


Answer

4.52cm

Question

Find the side marked
x to 2.d.p

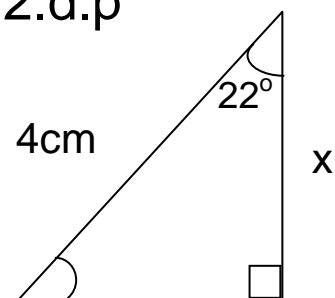


Answer

2.42cm

Question

Find the side marked
x to 2.d.p

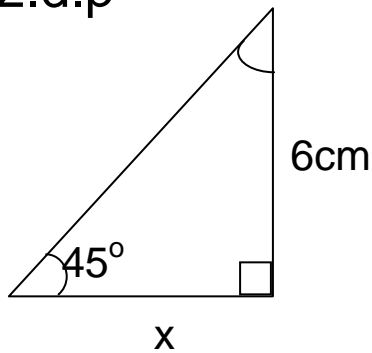


Answer

3.71cm

Question

Find the side marked
x to 2.d.p

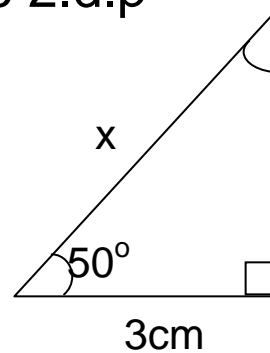


Answer

6cm

Question

Find the side marked
x to 2.d.p

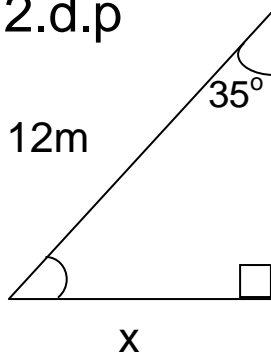


Answer

4.67cm

Question

Find the side marked
x to 2.d.p

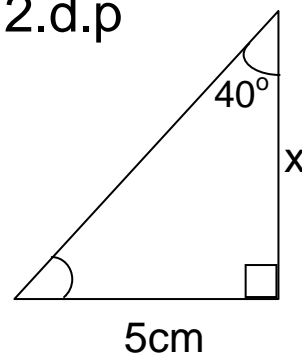


Answer

6.88m

Question

Find the side marked
x to 2.d.p

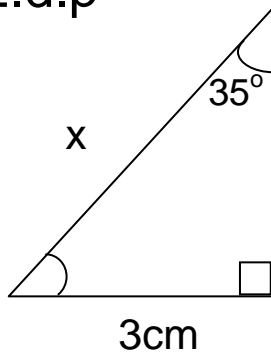


Answer

5.96cm

Question

Find the side marked x to 2.d.p

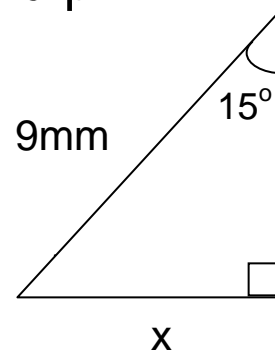


Answer

5.23cm

Question

Find the side marked x to 2.d.p

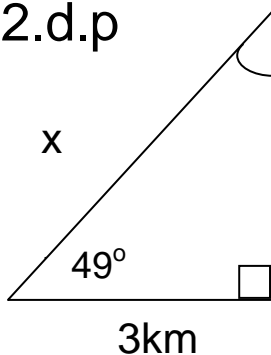


Answer

2.33mm

Question

Find the side marked x to 2.d.p



Answer

4.57km

Question

Find the side marked x to 2.d.p

